

Third Party Housing for TCM-5311

Contents

- Introduction
- Outdoor Housing Vendors: Videotec , Videolarm and ACTi
- Temperature Range for TCM-5311
- Videotec VERSO POLAR Specifications
- Videolarm ACH13 Specifications
- Disclaimer

Introduction

TCM-5311 is a camera designed for outdoor traffic application.

For extreme weather conditions in outdoor installations, housings with wide temperature range and waterproof capability are needed. ACTi supplies housings that are suitable for most environments, but not the harshest ones. Here we describe third party camera housings from Videotec and Videolarm, which functions well for lower temperature environment.

Outdoor Housing Vendors: Videotec , Videolarm and ACTi

Vendor	Videotec	Videolarm	ACTi
Type	Outdoor housing with Heater and Fan		
			
Vendor	Videotec	Videolarm	ACTi
Model	<u>VERSO POLAR-HPV42K</u>	<u>ACH13HBN</u> + <u>ACH2</u>	PMAX-0200-000R0 PMAX-0201-000R0
Product sheet	<u>click link</u>	<u>click link</u>	www.acti.com
Temperature	-30° C to +50 ° C	-29° C to +49° C -20° F to +120° F	-10° C to +50° C
Certification	CE ,IP66/IP67 ,IP55	RoHS, WEEE, UL ,CUL, CE	CE ,IP66
Website	<u>www.videotec.com</u>	<u>www.videolarm.com</u>	<u>www.acti.com/</u>
Contact	<p>U.S.A.: <u>usasales@videotec.com</u></p> <p>ITALY: <u>info@videotec.com</u></p> <p>FRANCE: <u>info@videotec-france.com</u></p> <p>U.K.: <u>uksales@videotec.com</u></p> <p>Hong Kong: <u>info@videotec.com.hk</u></p>	<p>West,Europe, Africa,Middle East : Sean Gaffey <u>sgaffey@videolarm.com</u></p> <p>Northeastern US & Canada: Scott Oliver <u>soliver@videolarm.com</u></p> <p>Southeast, Caribbean, Latin America: Pierce McCord <u>pmccord@videolarm.com</u></p> <p>For all other US Territories or Countries: <u>customerservice@videolarm.com</u> or (800)554-1124</p>	<u>sales@acti.com</u>

Temperature Range for TCM-5311

We ascertain working temperature range by putting our cameras under stress. We cycle the temperature between low and high extremes, to make sure that they function properly under most situations. With ACTi housing, TCM-5311 temperature range is -10 ~ 50°C as per our lab testing.

The TCM-5311 with changeable lens PLEN-0205(f8~80mm F1.6, C mount, Format 1/2”) was installed in Videotec [HPV42 Verso Polar](#) housing and tested in Videotek lab, and we also test Videolarm [ACH13HBN](#) housing with [ACH2](#) 24vac heater/thermostat kit in ACTi lab.

During the environmental simulation chamber test between -30 and 50°C, TCM-5311 remained working properly throughout.



Temperature range (°C)	Low (°C)	High(°C)
TCM-5311 with ACTi housing	-10	50
TCM-5311 with Videotec housing	-30	50
TCM-5311 with Videolarm housing	-30	50

Videotec VERSO POLAR Specifications



Customer can visit Videotec website www.videotec.com to find more information.

Model	Sunshield	Heater 115/230Vac	Heater 12Vdc/24Vac	Max consumption
HPV42K1A160	•	•		120W
HPV42K2A160	•		•	60W

General Specification

Entirely constructed from technopolymer (polycarbonate)
Sunshield in ABS
RAL9002 Colour
Stainless steel external screws
Supplied with instruction manual, desiccant bag, accessories for camera and lens

Environmental Specification

Indoor / Outdoor
Operating temperature with heater: -55°C / +60°C (-67°F / +140°F)
Very good resistance to the following chemical agents: basics, alcohols, gasses, Hydrocarbon
Good resistance: organic and inorganic acids, oils
Low resistance: solvents

Mechanical Specification

3xM16 cable glands in nickel-plated brass
Polycarbonate window (WxH): 105x64mm (4.1x2.5in)
Internal usable area (WxH): 70x70mm (2.7x2.7in)
Internal usable length with and without accessories: 270mm (10.6in)

Electrical Specification

Heater Ton $15^{\circ}\text{C} \pm 3^{\circ}\text{C}$ ($59^{\circ}\text{F} \pm 37^{\circ}\text{F}$) Toff $22^{\circ}\text{C} \pm 3^{\circ}\text{C}$ ($71^{\circ}\text{F} \pm 37^{\circ}\text{F}$)

- IN 12Vdc/24Vac, consumption 60W max
- IN 115/230Vac, consumption 120W max

Camera power supply

- IN 100-240Vac - OUT 12Vdc, 50/60 Hz, 1A
- IN 230Vac - OUT 24Vac, 50/60Hz, 400mA

Certifications

CE EN61000-6-3, EN60950-1, EN50130-4

IP66/IP67 EN60529 with cable glands

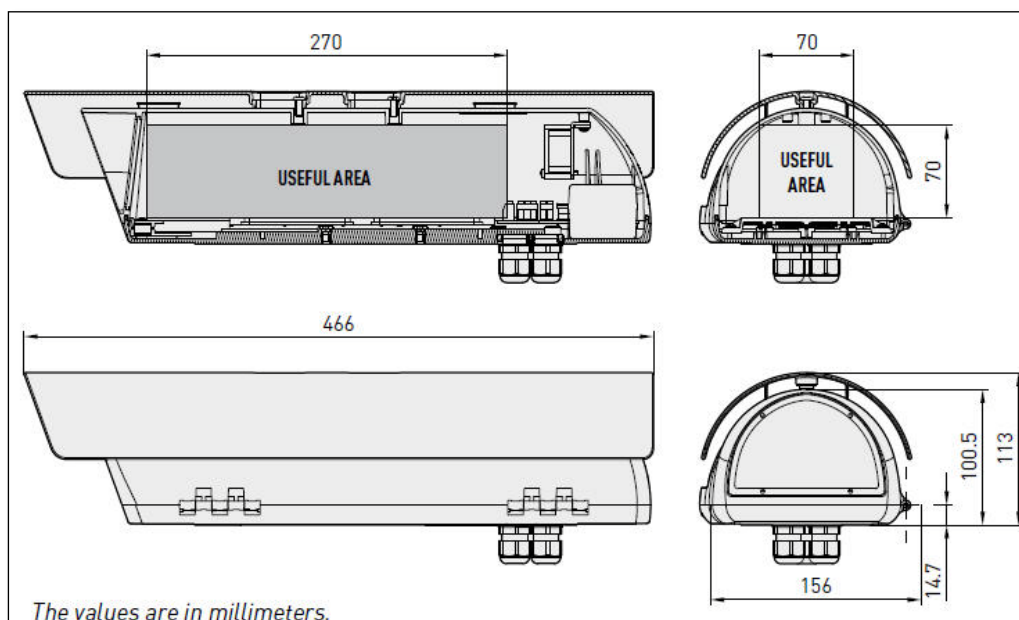
IP66/IP67 EN60529 with special gaskets and bracket with internal cable channel

IP55 EN60529 with bracket with internal cable channel

V1 fire-self extinguish compliance U L94

Impact resistance I K10 EN62262

Architectural Drawing



Videolarm ACH13 Specifications



Customer can visit Videolarm website www.videolarm.com to find more information.

General Specification

Body Construction	Aluminum
Viewing Window Construction	Polycarbonate with paint shield
Camera Included	No
Env	Outdoor
Heater	Yes
Blower	Yes
Housing Style	Standard
Mounting Style	Wall
Power Input	12 vdc
Power (vA)	20
Power (watts)	20
Low operating temperature (Celsius)	-28.9
High operating temperature (Celsius)	48.9
Low Operating Temperature (Fahrenheit)	-20
High Operating Temperature (Fahrenheit)	120
NEMA rating	3R

Environmental Specification

Operating Temperature	-20° F to + 120° F (-29° C to + 49° C)
Heater activates at	+50° F +/-8° (+10 °C, +/-8°)
Heater deactivates at	+80° F, +/-5° (27° C, +/-5°)
Blower activates at	+110° F, +/-7° (+43 °C, +/-7°)
Blower deactivates at	+80° F, +/-6° (27° C, +/-6°)

Mechanical Specification

Size (h*w*d)	15.36 x 5.67 x 15.25"
Weight:(Product/shipping)	4 lbs/ 1.8 kg
Construction Top	Aluminum
Max camera length	10.5"
Faceplate	Polycarbonate with paint shield
Mount / Bracket	Optional

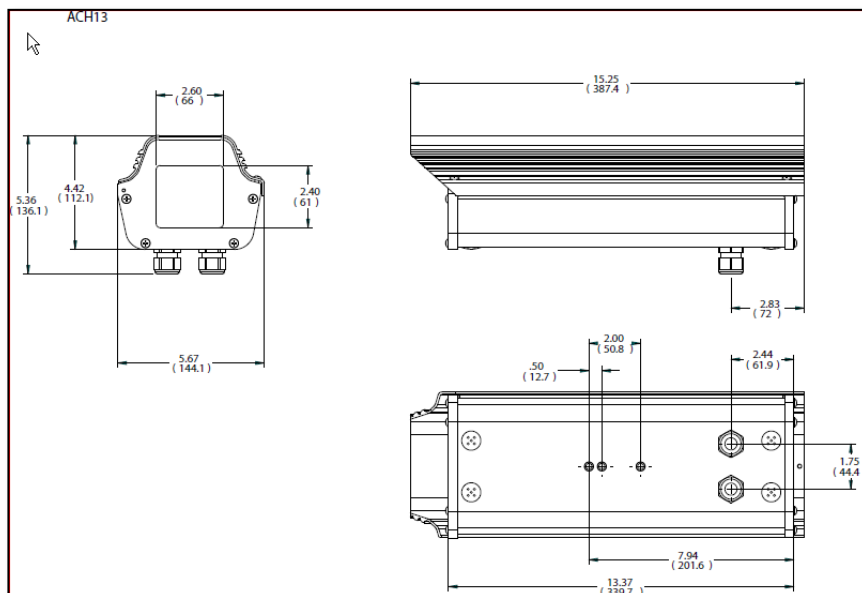
Electrical Specification

Input Voltage	24 vac* (*ACH13HB12N is 12Vdc input)
Heater	25 vA, (25 watts)
Blower	1.4 vA (2 watts)
Power Consumption	27 watts, not including the camera

Certifications

RoHS	Yes
WEEE	Yes
UL	Yes
CUL	Yes
CE	Yes

Architectural Drawing



Disclaimer

ACTi will not guarantee temperature operation range in extreme weather conditions.

ACTi can offer the test reports from the third party housing suppliers, and suggest customers to purchase the housing on their own.