

Third Party Housing for Cube Camera

Contents

- Introduction
- Third Party Indoor Housing: Videolarm ACEM20
- Videolarm ACEM20 Specification
- Installation
- How to avoid Power LED Reflection
- Disclaimer

Introduction

ACTi does not provide surface mount housing on our own. We suggest housings from a third party supplier (Videolarm), which can be another choice for our customers.

Third Party Indoor Housing: Videolarm ACEM20



Provider	Videolarm
Type	Indoor Surface Mount Wedge housing
Camera Model	ACM-4xxx , and TCM-4xxx cube camera
Model	ACEM20CT , ACEM20CTH
Product sheet	Click here
Vendor	Videolarm
Advantage	Vandal-Resistant Housing
Certification	RoHS ,WEEE
Website	www.videolarm.com
Contact	info@videolarm.com

Videolarm ACEM20 Specification

Customer can visit Videolarm website www.videolarm.com to find the more information.

Body Construction	14-gauge steel
Viewing Window Construction	3/16" Polycarbonate
Environment	Indoor
Heater	No
Blower	No
Housing Type	Vandal Proof
Form Factor	Wedge
Mounting Style	Surface
RoHS	Yes
WEEE	Yes

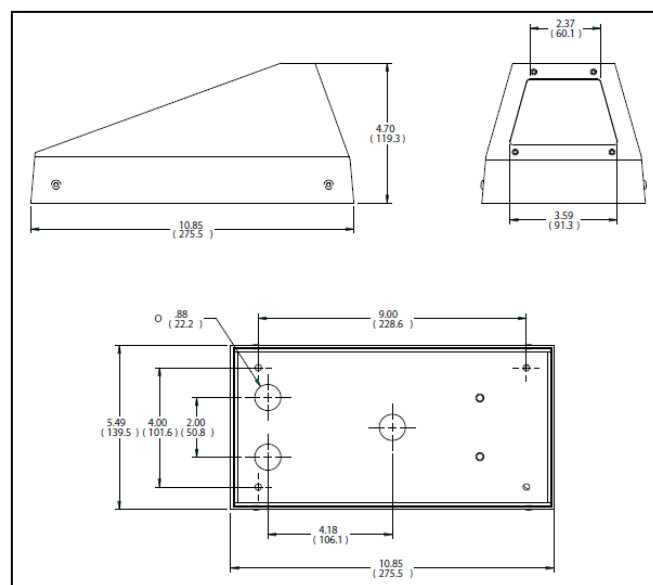
Mechanical Specification

Size (h*w*d)	4.67" x 5.44" x 9.15" (118.6mm x 138.2mm x 232.4mm)
Max camera length	8"
Weight	2.2 lbs/ 1 kg
Construction Body	14-gauge steel, off-white powder coat
Faceplate	3/16" polycarbonate with paint shield

Electrical Specifications

Power Input	24 VAC, 50/60 Hz
Heater	24 VAC, 25 VA, 1.04 Amps

Architectural Drawing



Installation

Please follow the Instruction Guide from Videolarm to install the camera.

Pass the network cable and power cable through the access hole and then attach and tighten the camera.



Attach the housing top back to the housing using the screws.

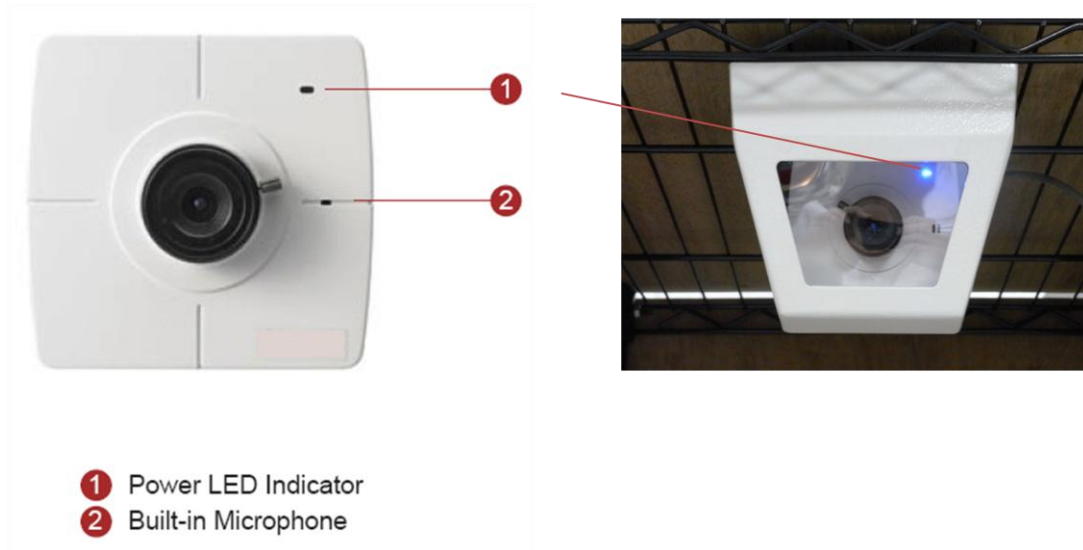


How to avoid Power LED Reflection

The power LED can be used to find out what status the device is in right now.

For instance, while booting up, upgrading firmware or when boot up failed.

However, the power LED indicator may cause reflection if it is installed in the box housing.



User can cover the LED with sticker. Besides, if device is using our firmware version v.3.11.13 (ACM series) or v4.06.09 (TCM series) and later, we provide URL commands to disable the Power LED. Copy and paste the following lines into Internet explorer and press enter. You will need to enter device User Name and Password to execute this command. (Default: Admin/123456)

*****Make sure to change the IP / Port to your actual camera settings! *****

Disable the Power LED:

http://192.168.0.100:80/cgi-bin/cmd/system? &POWER_LED=0

Enable the Power LED:

http://192.168.0.100:80/cgi-bin/cmd/system?POWER_LED=1

Read the current Power LED setting:

http://192.168.0.100:80/cgi-bin/cmd/system?POWER_LED

Disclaimer

ACTi will not guarantee temperature operation range in extreme weather conditions.

ACTi can offer the test report from the third party housing and suggest our customer to purchase the housing by themselves.