

# TCM-3011

H.264 IP IR D/N PoE Fixed Dome



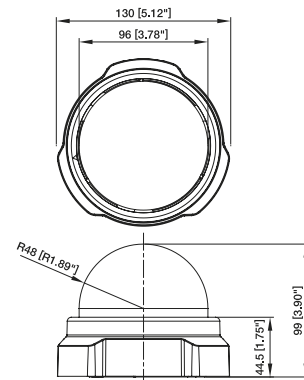
- 1/3" Aptina Progressive Scan CMOS
- Day and night function with mechanical IR cut filter
- Minimum illumination 0 lux with IR LED on
- Built-in 3.3-12 mm / F1.6 vari-focal lens
- 30 fps at 640 x 480 resolution
- Selectable H.264, MPEG-4 SP, MJPEG compressions with dual streaming
- Two-way audio
- Video motion detection
- Digital input and digital output
- Wide Dynamic Range
- Powered by PoE Class 3 / DC 12V

## PHOTO INDICATION



- ① Ethernet Port
- ② Reset Button
- ③ DC 12V Power Input
- ④ Audio Input / Output & Digital Input / Output






## DIMENSION DIAGRAM



Unit: mm [inch]

## ACCESSORY OPTIONS

| Dome Cover |   |                                 |
|------------|---|---------------------------------|
| PDCX-0101  |  | 3-inch, smoke, non-vandal proof |

| Popular Mounting Solutions |   |  |
|----------------------------|---|--|
| Surface                    | Accessories not required  |  |
| Wall                       | PMAX-0308                          |  |
| Pendant                    | PMAX-0101 + PMAX-0103              |  |
| Corner                     | PMAX-0101 + PMAX-0303 + PMAX-0402  |  |
| Pole                       | PMAX-0101 + PMAX-0303 + PMAX-0502  |  |
| Flush                      | PMAX-1006                          |  |

\* For more mounting solutions, please refer to Mounting Accessory section of Buyer's Guide or Project Planner v2.0 on [www.acti.com](http://www.acti.com)

# TCM-3011

## PRODUCT SPECIFICATION

### TCM-3011

#### • Device

|                          |  |
|--------------------------|--|
| Device Type              | Fixed Dome Camera  |
| Image Sensor             | Aptina Progressive Scan CMOS   |
| Sensor Size              | 1/3" (4.8 x 3.6 mm)  |
| Day / Night              | Yes  |
| Minimum Illumination     | Color: 0.5 lux at F1.0 (2400 °K, 30 IRE); B/W: 0 lux (IR LED on)                                       |
| Color to B/W switch      | CDS sensor based switch, configurable; DSP based switch, configurable                                  |
| Mechanical IR Cut Filter | Yes  |
| IR Sensitivity Range     | 700 nm - 1100 nm   |
| IR LED                   | IR LED x 24 (850 nm)   |
| IR Working Distance      | 30 m (0 lux, 30 IRE, Max Exposure Gain)  |
| Electronic Shutter       | 1/30 - 1/1,000 sec (60 Hz); 1/25 - 1/1,000 sec (50 Hz) (manual mode)<br>1/5 - 1/15,000 sec (auto mode) |

#### • Lens

|                          |                                 |
|--------------------------|---------------------------------|
| Focal Length             | Vari-focal, f3.3 - 12 mm / F1.6 |
| Iris                     | Fixed iris                      |
| Focus                    | Manual focus                    |
| Horizontal Viewing Angle | 78.1° - 23.1°                   |
| Viewing Angle Adjustment | Pan: 0° - 330°; Tilt: 30° - 90° |

#### • Video

|                                   |  |
|-----------------------------------|--|
| Compression                       | H.264, MPEG-4 SP, MJPEG  |
| Maximum Frame Rate vs. Resolution | 30 fps at 640 x 480 (VGA); 30 fps at 320 x 240 (QVGA); 30 fps at 160 x 112 (QQVGA)   |
| Multi-Streaming                   | Simultaneous dual streams based on two configurations  |
| Bit Rate                          | 28 Kbps - 6 Mbps (per stream)  |
| Bit Rate Mode                     | Constant, Variable   |
| S/N Ratio                         | More than 44 dB  |
| Image Enhancement                 | Wide dynamic range; White balance: automatic, predefined and manual; Brightness; Saturation; Contrast; Sharpness; Automatic gain control; Auto exposure: automatic, predefined and manual; Flickerless |
| Privacy Mask                      | 4 configurable regions   |
| Text Overlay                      | User defined text on video   |
| Image Orientation                 | Image flip and mirror  |

#### • Audio

|             |                                   |
|-------------|-----------------------------------|
| Compression | 8 kHz, Mono, PCM, 16 bit encoding |
| Audio-In    | Terminal block                    |
| Audio-Out   | Terminal block                    |

#### • Network

|                    |  |
|--------------------|--|
| Protocol & Service | TCP, UDP, HTTP, HTTPS, DHCP, PPPoE, RTP, RTSP, IPv6, DNS, DDNS, NTP, ICMP, ARP, IGMP, SMTP, FTP, UPnP, SNMP, Bonjour |
| Ethernet Port      | 1, Ethernet (10/100 Base-T), RJ-45 connector   |
| Security           | IP address filtering; HTTPS encryption; Password protected user levels   |

#### • Alarm

|                |   |
|----------------|---|
| Alarm Trigger  | Video motion detection (3 regions); External device through digital input   |
| Alarm Response | Notify control center; Change camera settings; Command other devices; E-mail notification with snapshots; Upload video, snapshot to FTP server; Activate external device through digital output |

#### • Interface

|                |                        |
|----------------|------------------------|
| Digital Input  | 1, TTL, terminal block |
| Digital Output | 1, TTL, terminal block |

#### • General

|                            |   |
|----------------------------|---|
| Power Source / Consumption | PoE Class 3 (IEEE802.3af) / 9.12 W<br>DC 12V / 6.72 W |
| Weight                     | 380 g (0.84 lb)                                       |
| Dimensions (Ø x H)         | 130 mm x 99 mm (5.12" x 3.90")                        |
| Mount Type                 | Surface, Flush, Wall, Pendant, Pole, Corner           |
| Operating Temperature      | -10 °C ~ 50 °C (14 °F ~ 122 °F)                       |
| Approvals                  | CE, FCC   |

#### • Integration

|                         |  |
|-------------------------|--|
| Unified Solution        | Fully compatible with ACTi software      |
| ISV Integration         | Software Development Kit (SDK) available |
| Firmware Access Browser | Microsoft Internet Explorer 6.0 or newer |

\* All specifications are subject to change without notice.

\* All brand names and registered trademarks are the property of their respective owners.

[www.acti.com](http://www.acti.com)

 **ACTi**  
Connecting Vision