

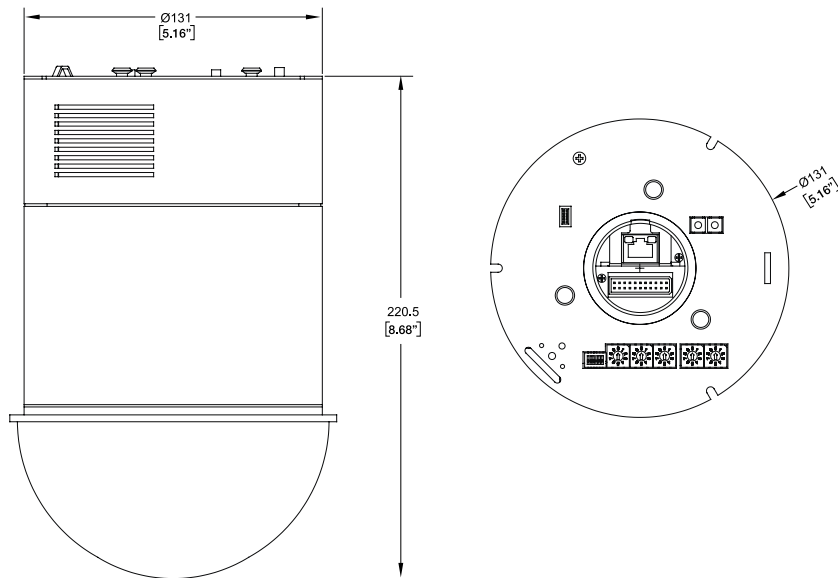


# CAM-6510



- 1/4" EXviewHAD
- Day and night function with Mechanical IR Cut Filter
- Optical Zoom Ratio 18x
- 0.01 Lux at F1.4
- MPEG-4 ASP compression
- CIF up to Full D1 resolution at 30/25 FPS
- Multi-stream with variable frame rate in the same compression
- Backlight Compensation, Auto Iris Control, Auto White Balance supported
- Hardware motion detection, Digital Input / Output
- Fail-over network protection and QoS enabled (L3) video streaming
- Surface / Pendant / Wall / Corner / Pole / Flush mount supported

## DIMENSION DIAGRAM



## ACCESSORY OPTIONS

Dome Cover		Mount Kit		Mounting Configuration*
• Transparent Cover (Vandal Proof)	PDCX-1000	• Mount Kit	PMAX-0107	<ul style="list-style-type: none"> <li>• Pendant Mount</li> <li>• Wall Mount</li> <li>• Corner Mount</li> <li>• Pole Mount</li> <li>• Flush Mount</li> </ul>
• Transparent Cover (Non Vandal)	PDCX-0000	• T-Bar Ceiling Mount	PMAX-1007	
• Smoke Cover (Non-Vandal)	PDCX-0102			

\*Sold separately. Please refer to detailed mounting configuration table in the accessory section or Project Planner on ACTi.com



## PRODUCT SPECIFICATION

		CAM-6510	
Image	Device	EXview HAD CCD	
	Size	1/4 inch	
	Effective Pixels	768 (H) x 494 (V) (NTSC); 752 (H) x 582 (V) (PAL)	
	Horizontal Resolution	530 TVL	
Min. scene Illumination	Color	0.7 Lux (F1.4, 1/4s(NTSC) or 1/3s (PAL))	
	B/W	0.01 Lux (F1.4, 1/4s (NTSC) or 1/3s (PAL), IR ON)	
Lens	Focal Length	4.1 ~ 73.8 mm	
	Zoom Ratio	18x	
	Aperture Ratio	F1.4(Wide), F3.0(Tele)	
	Diagonal angle	48° (W) ~ 2.8° (T)	
	Zoom Speed	2.1sec(1x to 18x)	
	Digital Zoom	1x~12x variable	
Synchronization	Sync. System	Internal / line lock	
Day/Night Functions	Mechanical IR Cut Filter	Yes	
	Motion Detection	Yes (3 windows)	
Functions	Electronic Shutter	1/1 ~ 1/10,000 sec. (NTSC) 1/1 ~ 1/10,000 sec. (PAL)	
	Fixed Shutter	Yes	
	Auto Slow Shutter	Yes	
	BLC	On / Off	
	AGC	Auto / Manual	
	Auto Exposure Control	Auto/manual/exposure compensation	
	Exposure Compensation	-10.5 ~ +10.5dB (15steps)	
	White Balance	Auto / Manual	
	Camera ID	Max. 20 characters	
	Number of Preset	256 points	
	Auto Iris Control	Auto / manual	
	Sequence Group	8	
	Auto Pan (patrol)	4	
	Schedule	Yes	
	Privacy Mask	24	
	WDR	N/A	
	Absolute Position	Yes	
Cruise	1		
S/N Ratio	S/N Ratio	Better than 50 dB (AGC off)	
PAN/TILT	Manual Speed	Pan Tilt 1° ~ 90° / sec.	
	Preset Speed	Pan Tilt 5° ~ 400° / sec	
	Preset Accuracy	Pan	0.225°
		Tilt	0.45°
	Travel Range	Pan Tilt 360° endless -10° ~ 100° (190° in Image Flip mode)	
Video (Compression)	Compression	MPEG-4 ASP compliant	
	Picture Resolution	Full D1 (720 x 480 in NTSC, 720 x 576 in PAL); CIF (352 x 240 in NTSC, 352 x 288 in PAL); QCIF (160 x 112 in NTSC, 176 x 144 in PAL)	
	Bit Rate	28 K ~ 3 M bps	
	Multi-stream	Up to 4 configurable frame rate/bit rate streams for preview and recording	
Video Output	Composite Output	CVBS, 1.0Vp-p with 75 Ω loading, BNC connector	
Alarm	Digital Input	8, TTL, terminal block (optional)	
	Digital Output	1, TTL, terminal block (optional)	
Casing	Vandal Proof	Yes (cover with vandal proof option)	
	Mount Type	Surface / Pendant* / Wall* / Corner* / Pole* / Flush*	
Network	LAN Port	Ethernet (10 / 100Base-T), RJ-45 connector	
	WAN Port	Ethernet (10 / 100Base-T), RJ-45 connector	
	Protocol	TCP, UDP, IP, HTTP, DHCP, PPPoE, RTP, RTSP, FTP, SMTP, DNS, DDNS, NTP, ICMP, IGMP, ARP	
Software	Web Browser	Microsoft Internet Explorer 6.0 or above	
	SDK	ACTi SDK-10000	
Operating	Security	Password protection: configured by the administrator	
	Temperature	0 °C ~ 40 °C (32 °F ~ 104 °F)	
Power	Power Requirement	AC 24V ±20%	
	Power Consumption	20 W	
Physical	Dimensions (ØxH)	131 mm x 226 mm (5.2" x 8.9")	
	Weight	1,600 g (3.5 lb)	
Approvals	Certificate	CE, FCC	

\*Sold separately. Please refer to detailed mounting configuration table in the accessory section or Project Planner on ACTi.com

\* All specifications are subject to change without notice.  
\* All brand names and registered trademarks are the property of their respective owners.