



# ACM-3211

## IP IR Eyeball Dome Camera

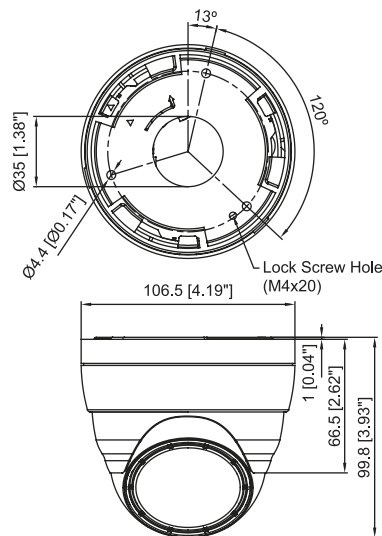


- 1/3" Sony SuperHAD CCD
- Integrated f4.3 mm / F2.0 Lens
- 0 Lux (IR LED ON)
- Backlight Compensation, Auto White Balance supported
- Selectable MPEG-4 / MJPEG compression
- CIF up to Full D1 resolution at 30/25 FPS
- Multi-stream with variable frame rate in the same compression
- Two-way audio supported
- Hardware motion detection
- Power over Ethernet (IEEE 802.3af) supported
- Free rotating ball joint mechanical design allows coverage of all angles
- Surface and wall mount supported



- |                        |                      |
|------------------------|----------------------|
| 1 Audio Input / Output | 3 DC 12V Power Input |
| 2 Reset Button         | 4 Ethernet Port      |

### DIMENSION DIAGRAM



Unit: mm [inch]



## PRODUCT SPECIFICATION

		ACM-3211
Image	Device	SONY SuperHAD CCD
	Size	1/3 inch
	Effective Pixels	537 (H) x 505 (V) (NTSC); 537 (H) x 597 (V) (PAL)
	Horizontal Resolution	420 TVL
Min. Scene Illumination	Color	0 Lux (w/IR) IR LED ON at 4 Lux / Controlled by a CDS sensor
	IR Sensitivity	from 700 nm to 1100 nm
	IR LED	IR LED x24 (850 nm)
	CDS Sensor	Yes
	IR Working Distance	10 ~ 15 M (30 IRE)
Lens	Focal Length	f4.3 mm / F2.0
	Viewing Angle	63° (Horizontal)
Camera Angle Adjustment	X (Panning)	0° ~ 360°
	Y (Tilting)	0° ~ 180°
	Z (Rotating)	0° ~ 360°
Synchronization	Sync. System	Internal
Day/Night Functions	Mechanical IR Cut Filter	N/A
Functions	Motion Detection	Yes (3 windows)
	Electronic shutter	1/60 ~ 1/100,000 sec. (NTSC) 1/50 ~ 1/100,000 sec. (PAL)
	BLC	Automatic
	AGC	Automatic
	White Balance	AWB
S/N Ratio	S/N Ratio	Better than 48 dB
Video Compression	Compression	MPEG-4 SP, MJPEG selectable
	Picture Resolution	Full D1 (720 x 480 in NTSC, 720 x 576 in PAL) VGA (640 x 480 in NTSC, 640 x 480 in PAL) CIF (352 x 240 in NTSC, 352 x 288 in PAL) QCIF (160 x 112 in NTSC, 176 x 144 in PAL)
	Bit Rate	28 K ~ 3 M bps
	Image Frame Rate	30 fps at full D1 resolution (NTSC) 25 fps at full D1 resolution (PAL)
Audio Input	Compression	8 kHz, Mono, PCM
	Audio Line Input	Unbalanced, 1.4 Vp-p, 1Vrms, terminal block
Audio Output	Compression	8 kHz, Mono, PCM
	Audio Line Output	Unbalanced, 1.4 Vp-p, 1Vrms, terminal block
Casing	Mount Types	Surface / Wall (option)
External I/O	Reset Button	Factory default
Network	Ethernet	Ethernet (10/100Base-T), RJ-45 connector
	Protocol	TCP, UDP, IP, HTTP, DHCP, PPPoE, RTP, RTSP, FTP, SMTP, DNS, DDNS, NTP, ICMP, IGMP, ARP
Software	Web Browser	Microsoft Internet Explorer 6.0 or above
	SDK	ACTi SDK-10000
Operating	Security	Password protection: configured by the administrator
Power	Temperature	-10 °C ~ 50 °C (14 °F ~ 122 °F)
	Power Requirement	PoE (IEEE802.3af) with Class 3
Physical	Power Consumption	5.7 W (DC 12V) w/ IR ON 7.0 W (PoE) w/ IR ON
	Dimensions (Ø x L)	106.5 mm X 99.8 mm (4.19" x 3.93")
Approvals	Weight	320 g (0.7 lb)
	Certificate	CE, FCC

## MODEL SELECTION

Model Name	NTSC	PAL	DC 12V / PoE
ACM-3211N	V		V
ACM-3211P		V	V

## ACCESSORY OPTIONS

- Wall mount kit PMAX-0300-000R0



PMAX-0300-000R0